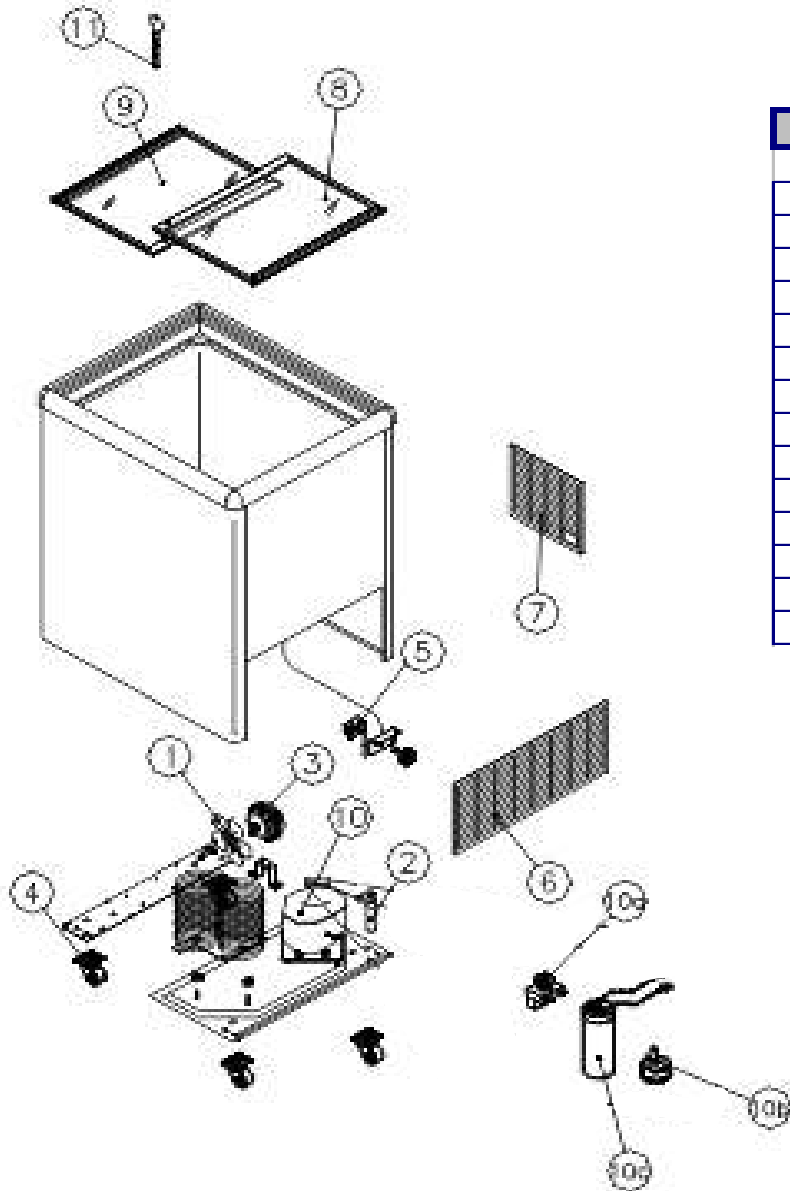
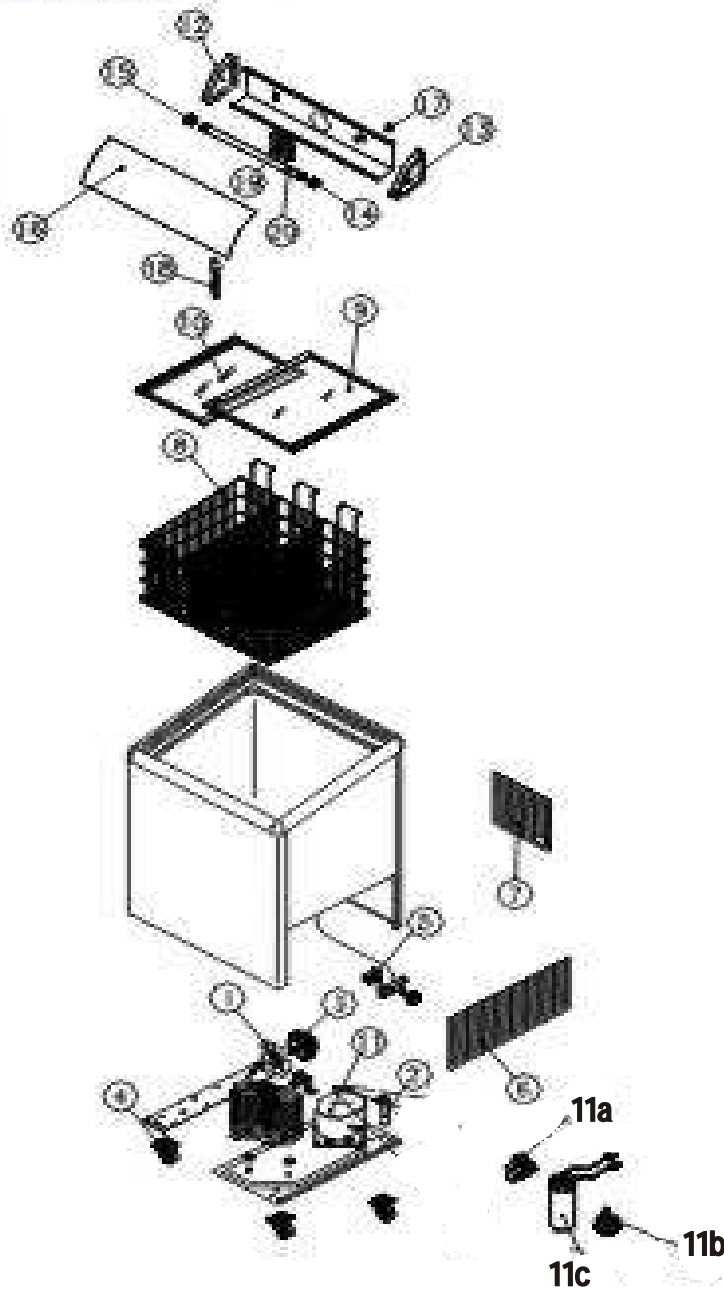


# PARTS LIST - MODEL: CV-200AN



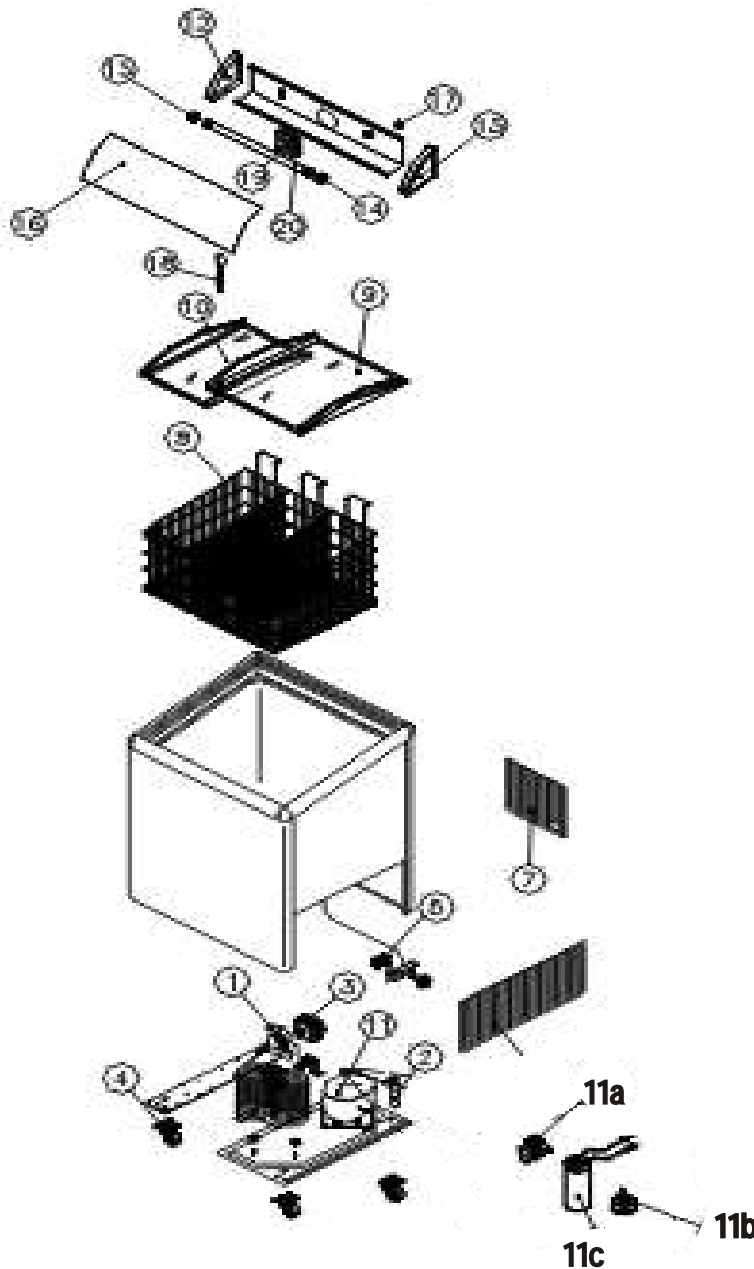
Number	Code	Part Description
1	1001152	Fan Blade V200-22
2	1018187	Drier Filter
3	1015050	Fan Motor M4Qo45-BD003-04
4	1002270	Caster Wheel 2"
5	1017534	Thermostat K-55 - L5121.001
6	1016109	Side Grille
7	1016231	Back Grille
8	1018605	Upper Flat Glass Lid
9	1018606	Lower Flat Glass Lid
10	1001884	Compressor FF8.5HBK Embraco
10a	1004603	Relay
10b	1017287	Thermal Protector
10c	1001531	Capacitor 282 - 39mf
11	1018270	Lock Kit

# PARTS LIST - MODEL: CV-200IAN



Number	Code	Part Description
1	1001152	Fan Blade V200-22
2	1018187	Drier Filter
3	1015050	Fan Motor M4Qo45-BD003-04
4	1002270	Caster Wheel 2"
5	1017534	Thermostat K-55 - L5121.001
6	1016109	Side Grille
7	1016231	Back Grille
8	1018550	Basket
9	1018280	Upper Curved Glass Lid
10	1018281	Lower Curved Glass Lid
10a	1001884	Compressor FF8.5HBK Embraco
10b	1004603	Relay
10c	1017287	Thermal Protector
11	1001531	Capacitor 282 - 39mf
12	1018633	Lighted Sign Left Cover
13	1018632	Lighted Sign Right Cover
14	1015079	Lampholder
15	1015080	Lampholder
16	1016243	Lighted Sign Poly Cover
17	1015006	Light Switch
18	1018270	Lock Set
19	1015051	Lighted Sign Fan
20	1002618	Flourecent Tube TLD18/54

# PARTS LIST - MODEL: CV-200ICAN



Number	Code	Part Description
1	1001152	Fan Blade V200-22
2	1018187	Drier Filter
3	1015050	Fan Motor M4Qo45-BD003-04
4	1002270	Caster Wheel 2"
5	1017534	Thermostat K-55 - L5121.001
6	1016109	Side Grille
7	1016231	Back Grille
8	1018550	Basket
9	1018280	Upper Curved Glass Lid
10	1018281	Lower Curved Glass Lid
10a	1001884	Compressor FF8.5HBK Embraco
10b	1004603	Relay
10c	1017287	Thermal Protector
11	1001531	Capacitor 282 - 39mf
12	1018633	Lighted Sign Left Cover
13	1018632	Lighted Sign Right Cover
14	1015079	Lampholder
15	1015080	Lampholder
16	1016243	Lighted Sign Poly Cover
17	1015006	Light Switch
18	1018270	Lock Set
19	1015051	Lighted Sign Fan
20	1002618	Flourecent Tube TLD18/54